



VIKING

Industrial Center

Fastener, Safety & Strut Specialists

**STRUT FRAMING
SIGN POSTS
MECHANICAL SUPPORTS**

ST PAUL

- 651-646-6374
- 800-328-6505

DULUTH

- 218-624-4851
- 800-232-1367

FOREST LAKE

- 651-756-8758
- 800-328-6505

2024

www.vikingindustrialcenter.com



Viking Industrial Center is a family-owned business that has served thousands of companies and customers since 1959. Viking started out in the heart of the Twin Cities by selling fastening tools and equipment for construction. Shortly thereafter we added a full line of safety products. The two product lines worked in tandem, providing a broad array of quality construction fastening and safety products at reasonable prices with personalized service. Finally, a full line of strut products was added.

Viking has three convenient Minnesota locations. Our St. Paul and Columbus stores service walk-in customers in the Twin Cities metro area and suburbs. Our Duluth location is easily accessible to customers in northern Minnesota and northwestern Wisconsin.

Our service representatives can visit you at your site.

Unable to stop in? Place your order online through our website. We have in-stock inventory ready to ship out immediately. If you don't see what you are looking for, please give us a call. We have a very knowledgeable customer service staff waiting to assist you!

We take pride in our company and enjoy giving advice on products and helping our customers find what is right for them and their situations. Please contact us with any questions about our company or our products.

Viking Industrial Center Offers Jobsite Service



Customer Service Centers

**Store Hours: 7:00 a.m. - 4:00 p.m.
Monday - Friday**

St. Paul
2550 Kasota Avenue
(800) 328-6505
Phone (651) 646-6374
Fax (651) 646-7546
info@vikingindustrialcenter.com

Forest Lake
9205 Lake Drive NE
(800) 328-6505
Phone (651) 756-8758
Fax (651) 797-2942
info@vikingindustrialcenter.com

Duluth
4730 Grand Avenue
(800) 232-1367
Phone (218) 624-4851
Fax (218) 624-4788
info@vikingindustrialnorth.com

PLEASE NOTE: No expressed or implied warranties are made in this catalog.
Specifications are subject to change without notice.
Please call Viking Industrial Center at 1-800-328-6505 for current product data.

TERMS OF SALE

Payment: Net 30 days from invoice date.

FOB: Shipping Point.

Transportation: We will determine the best methods for transportation unless specified in order.

Returned Goods: Goods may be returned for credit, exchange or replacement only with authorization and subject to inspection and restocking charge.

Special & Custom Items: Special order and custom-made items become the property of the buyer and ARE NON-RETURNABLE.

New Accounts: In order to expedite shipments to new accounts, payment in full must accompany order. We do not make COD shipments.

Prices: All prices are subject to change or withdrawal without prior notice.

Credit Cards We accept for credit card purchases



NOTICE: There is a minimum purchase of \$10 per order.

As our valued customer, you expect us to supply quality merchandise from reputable manufacturers at a fair market price, to ship and invoice your orders as rapidly as possible and to service what we sell.

As your supplier, we expect you to pay all bills according to our invoice terms, give us a reasonable amount of time to process "Will Call" orders, allow sufficient lead time for special and custom-made items, and most important, to let us know if there is a problem of any kind.

Transportation of Hazardous Materials

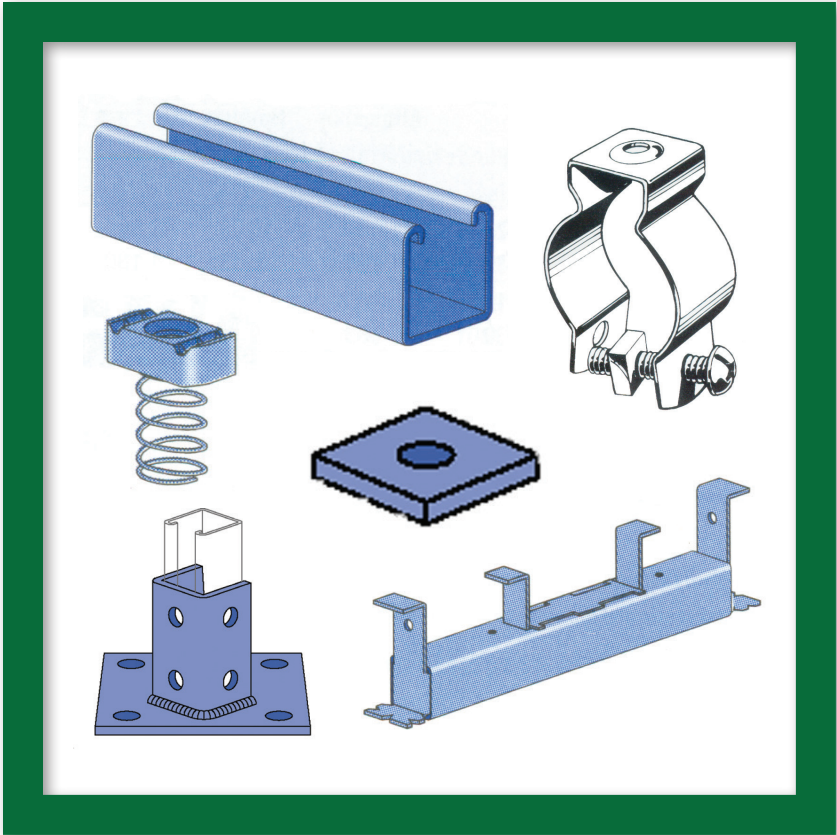
A. Hazardous Materials cannot be shipped by air.

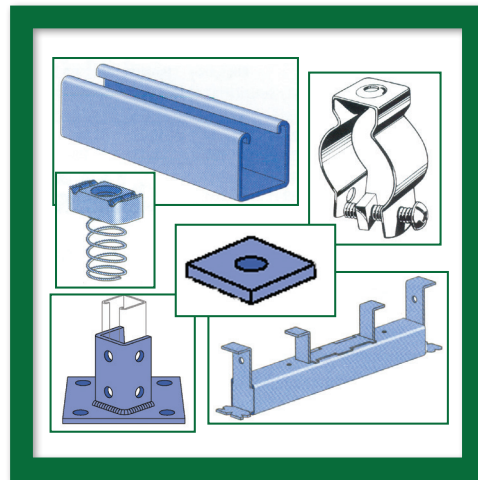
B. Hazardous Materials Shipped by UPS Ground Service require special processing and labeling and are subject to a special UPS handling charge.

C. Customers will be notified if the product being ordered is considered hazardous material. Some of the most common items classified as hazardous by the DOT are: compressed air and oxygen (for breathing equipment), test gas kits and cylinders, fusee flares and dry chemical fire extinguishers. Other products may be included as the DOT regulates.

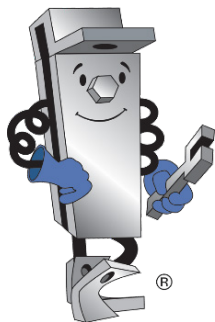
NOTES

Strut Products





Channel Guide	3
How To Order - Hole Patterns, Finishes & Lengths	4
Channel Nuts	5
Square Washers & Flat Plate Fittings	6 - 7
Angle Fittings	8 - 9
'U' & 'Z' Fittings	10
Wing Fittings	11
Post Bases	12
Brackets & Braces	13
Trolleys	14
End Caps & Closures	15
Beam Clamps	16 - 17
Threaded Rod & Accessories	18 - 19
Pipe Supports	20 - 21
Rooftop Supports & Other Product Availability	22



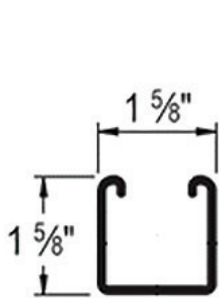
Strut products and hardware provide economical solutions for an unlimited range of applications in the construction industry.

From mechanical, electrical and general construction to light duty product displays, these engineered building and support system components can be customized to satisfy numerous solutions that are aesthetically pleasing as well as functional.

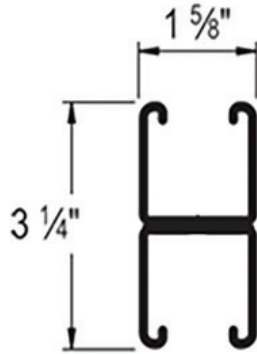
As, this is an overview of the products available, please call us for more information specific to your application needs.



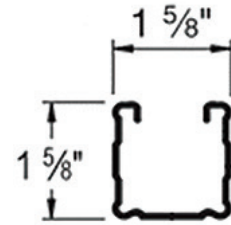
UNISTRUT® Channel Series Selection Guide



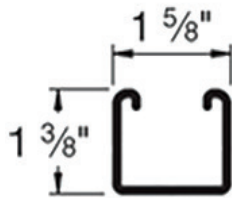
P1000
(12 ga)



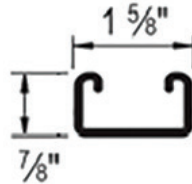
P1001
(12 ga)



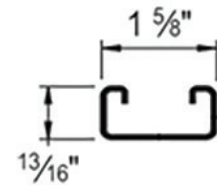
P1100
(14 ga)



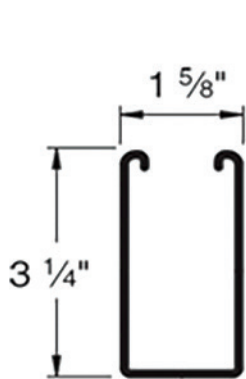
P3000
(12 ga)



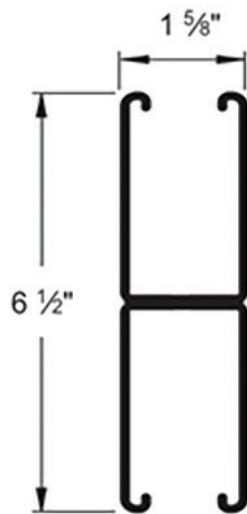
P3300
(12 ga)



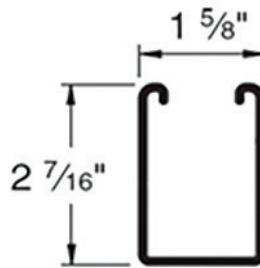
P4100
(14 ga)



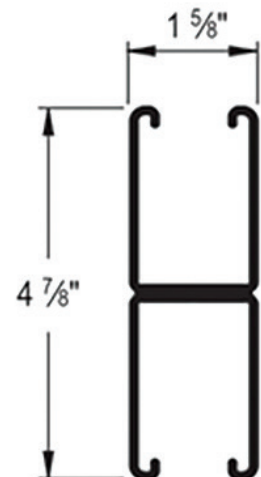
P5000
(12 ga)



P5001
(12 ga)



P5500
(12 ga)



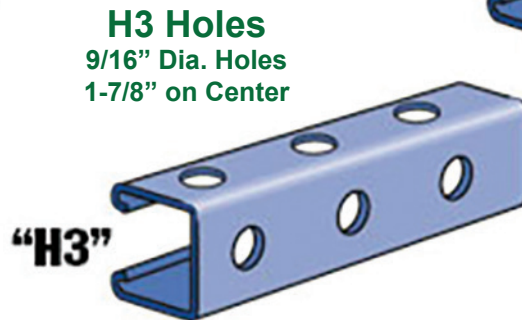
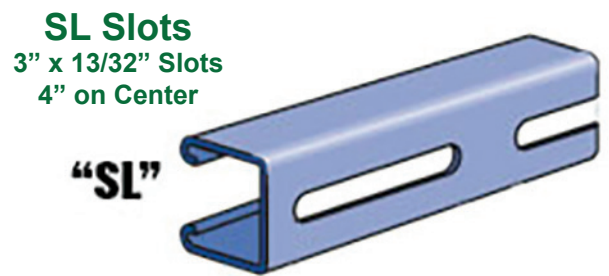
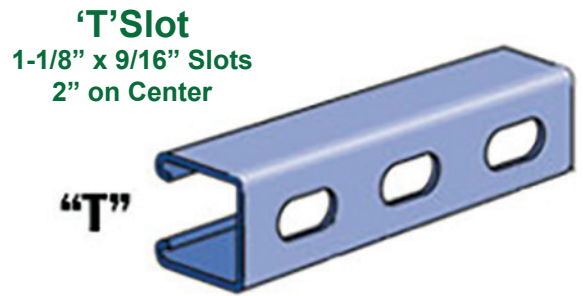
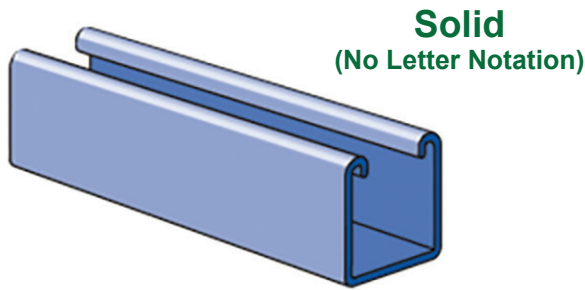
P5501
(12 ga)

Part Numbers

To Order: [Series] + [Hole Pattern] + [Finish] + [Length]

P1000 + T + GR + 10 = P1000TGR10

Hole Patterns



Finish

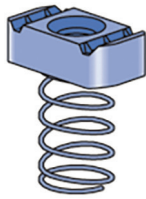
Green	GR
Pre-Galv	PG
Plain	PL
Hot-Dip Galv	HG
Defender	DF
Aluminum	EA
304SS	SS
316SS	ST

Lengths

10ft & 20ft Stock
(Not all channel stocked in 10 ft)

Can be cut to length
(Must purchase in full 10 ft or 20ft lengths)

Channel Nuts

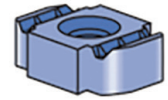


Spring Nuts

[For use with P1000, P1100, P3000 Series Channel]

Size	Korefit	Unistrut
1/4-20	I1032	P1006-1420EG
5/16-18	I1033	P1007EG
3/8-16	I1034	P1008EG
1/2-13	I1035	P1010EG
5/8-11	I1036	P1012SEG
3/4-10	I1037	P1023SEG

Long Spring nuts available for use with P5000, P5500 Series Channel



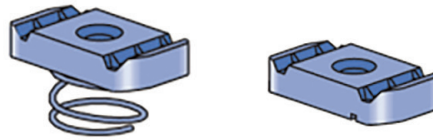
Channel Nuts w/o Spring

[For use with P1000, P1100, P3000, P5000, P5500 Series Channel]

Size	Korefit	Unistrut
1/4-20	I1132	P3006-1420EG
5/16-18	I1133	P3007EG
3/8-16	I1134	P3008EG
1/2-13	I1135	P3010EG
5/8-11	I1136	P1012EG
3/4-10	I1137	P1023EG

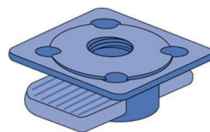
Thin Channel Nuts

[For use with P3300, P4100 Series Channel]

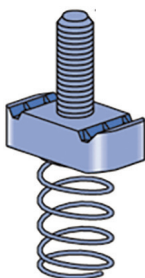


Size	Korefit w/Spring	Korefit w/o Spring	Unistrut w/Spring	Unistrut w/o Spring
1/4-20	I1232	I1032	P4006-1420EG	P3006-1420EG
5/16-18	I1233	I1033	P4007EG	P3007EG
3/8-16	I1234	I1034	P4008EG	P3008EG
1/2-13	I1235	I1335	P4010EG	P3013EG

Kwik Washer



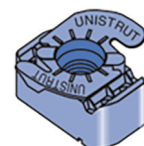
Size	Unistrut
1/4-20	K1062EG
3/8-16	K1063EG
1/2-13	K1064EG



Stud Nuts

Special Order Only

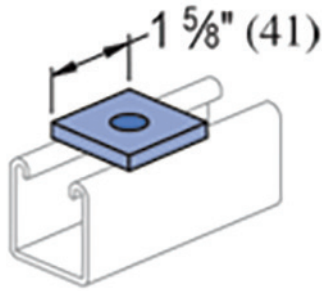
Easy Grip / Top Nut



Limited Availability

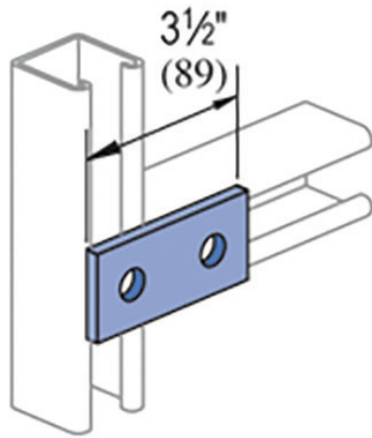
Square Washers & Flat Plate Fittings

Square Washer



Size	Korefit	Unistrut
1/4	I2003	P1062EG
3/8	I2004	P1063EG
1/2	I2005	P1064EG
5/8	I2006	P1964EG
3/4	I2007	P2471EG
7/8	I2008	P2490EG

2 Hole Splice

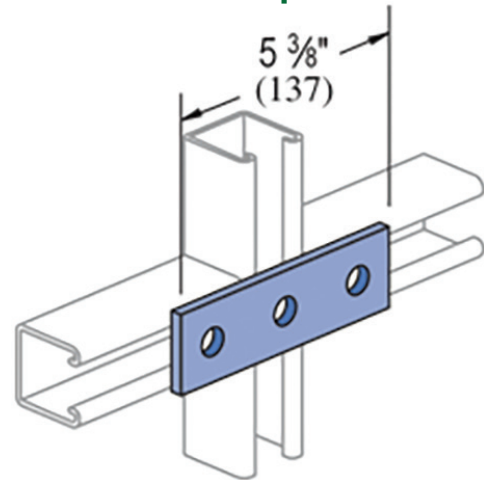


I2011

P1065EG

Flat Plates

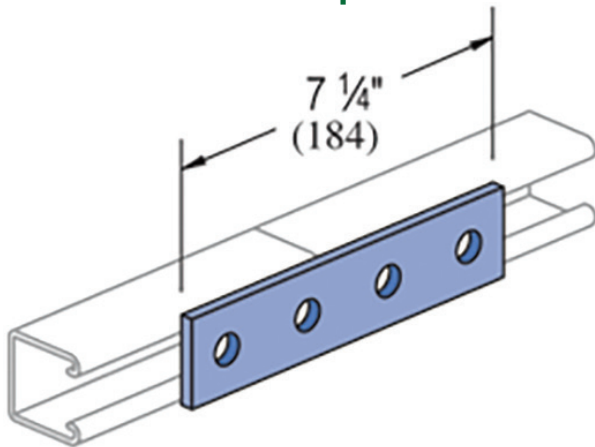
3 Hole Splice



I2017

P1066EG

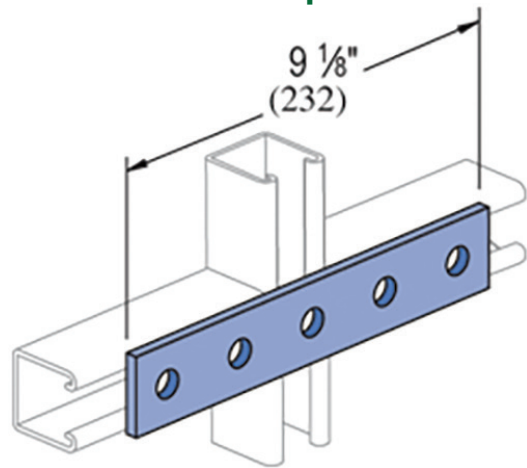
4 Hole Splice



I2023

P1067EG

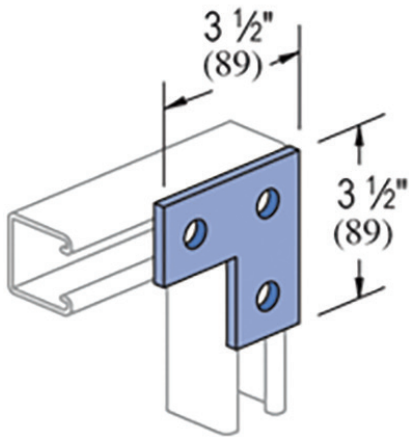
5 Hole Splice



I1941

P1941EG

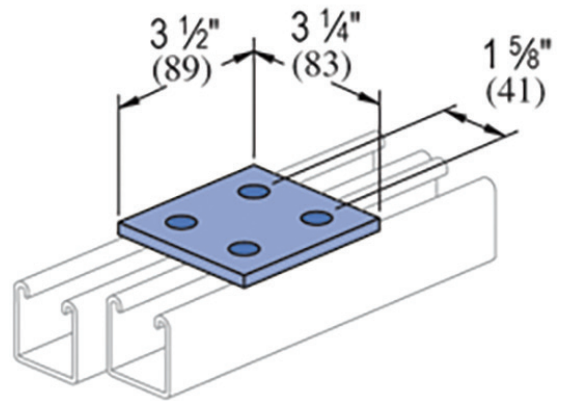
3 Hole Flat Corner



I2037

P1036EG

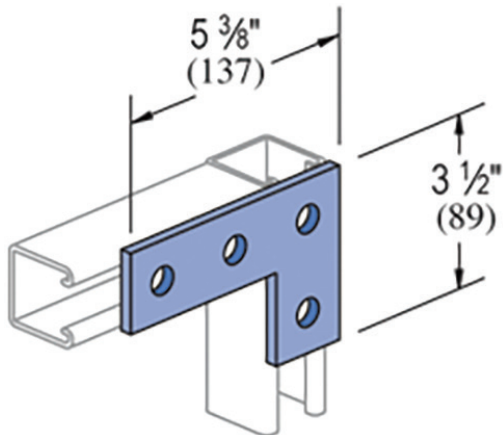
4 Hole Square Plate



I2079

P2079EG

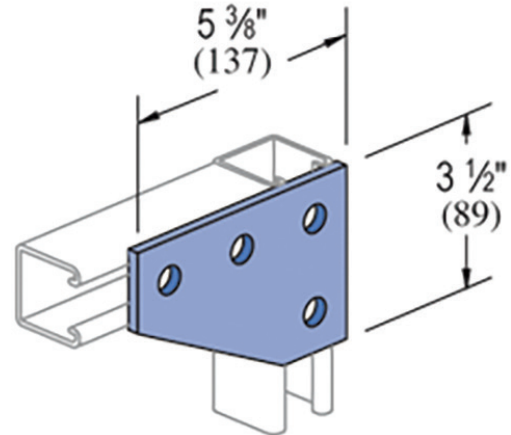
4 Hole Flat Corner



I2038

P1380AEG

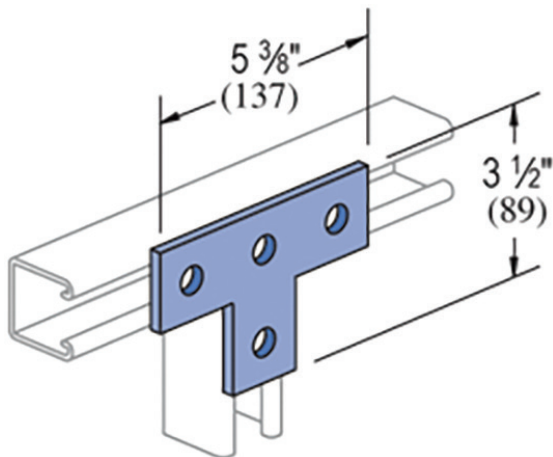
4 Hole Flat Gusset



I2063

P1380EG

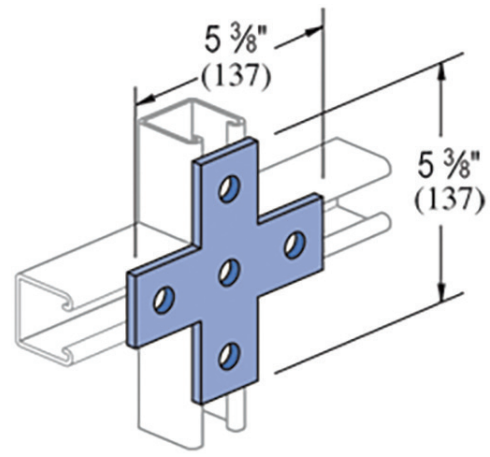
4 Hole Flat Tee



I2042

P1031EG

5 Hole Flat Cross

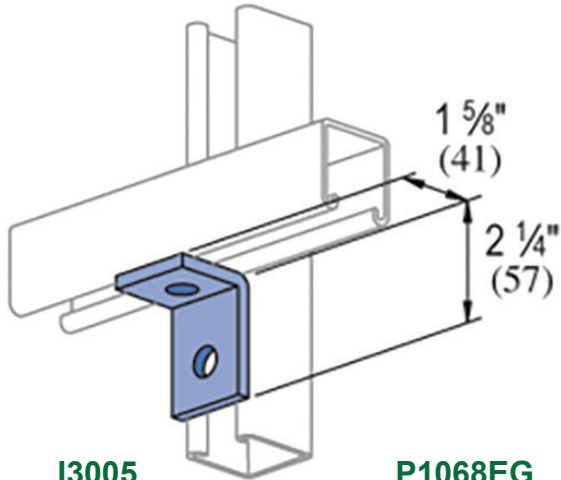


I2047

P1028EG

Angle Fittings

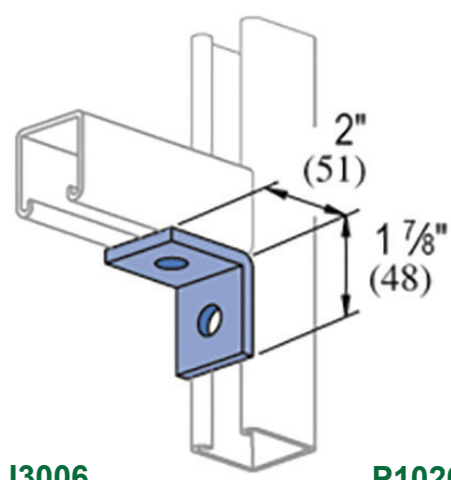
Hole 90-degree Angle



I3005

P1068EG

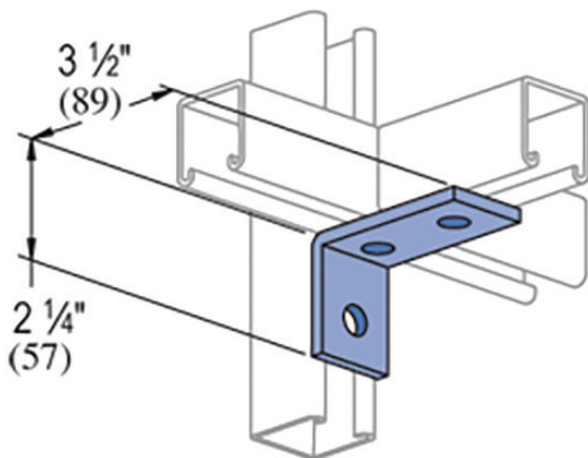
2 Hole 90-degree Angle



I3006

P1026EG

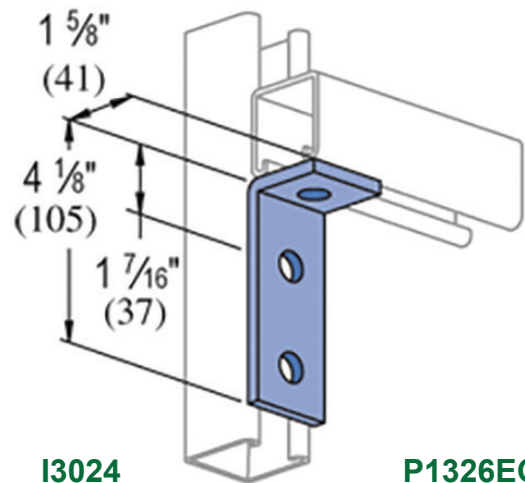
3 Hole 90-degree Angle



I3023

P1458EG

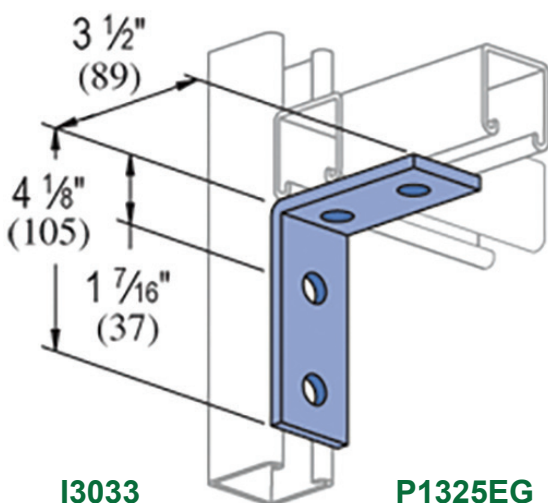
3 Hole 90-degree Angle



I3024

P1326EG

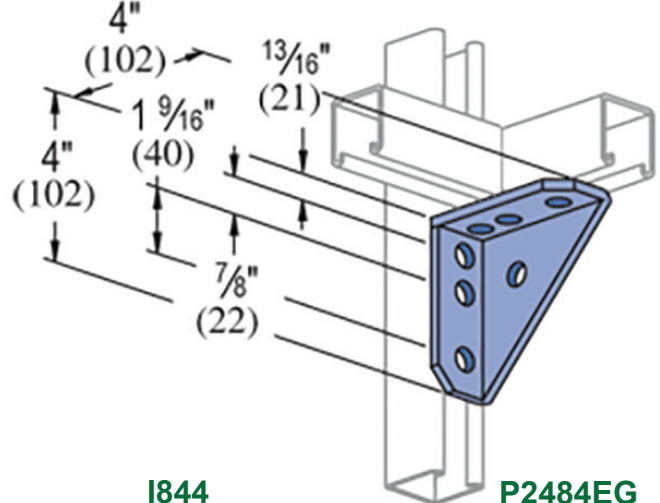
4 Hole 90-degree Angle



I3033

P1325EG

90-degree Corner Gusset

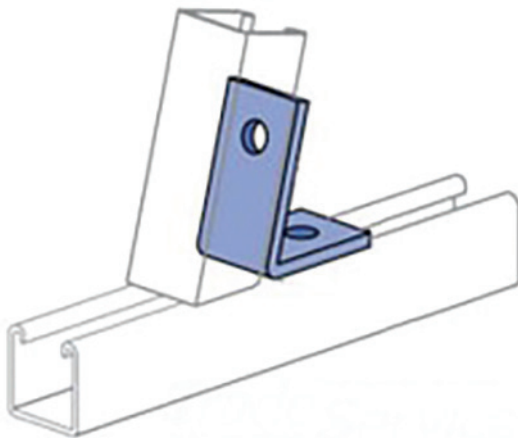
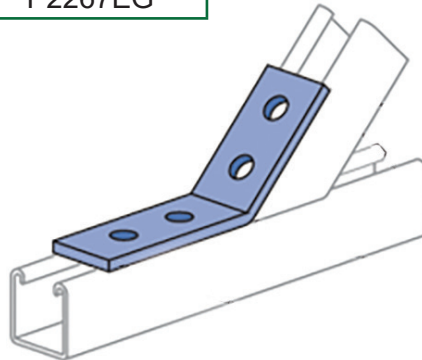
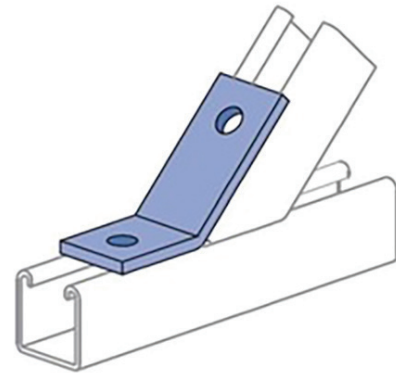


I844

P2484EG

Open Angles

Angle	Holes	Korefit	Unistrut
30°	2	I3113*	P2101EG
	4	I3134*	P2263EG
45°	2	I3111*	P1546EG*
	4	I3132*	P2265EG*
60°	2	I3110*	P2097EG
	4	I3130	P2267EG



Closed Angles

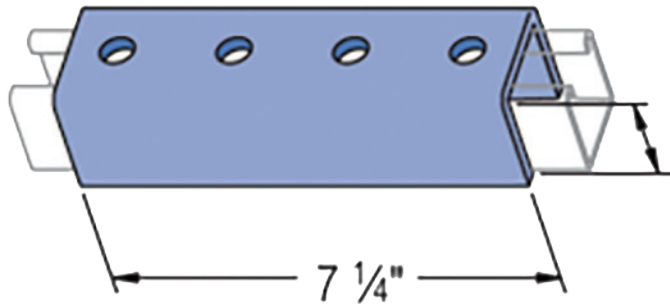
Angle	Holes	Korefit	Unistrut
45°	2	I3121*	P1186EG*
	4	I3140*	N/A
60°	2	I3119*	P2108EG
	4	I3138	N/A

*Denotes regular stock item.

Other angles are available and can be special ordered.

'U' and 'Z' Fittings

4 Hole 'U' Splice

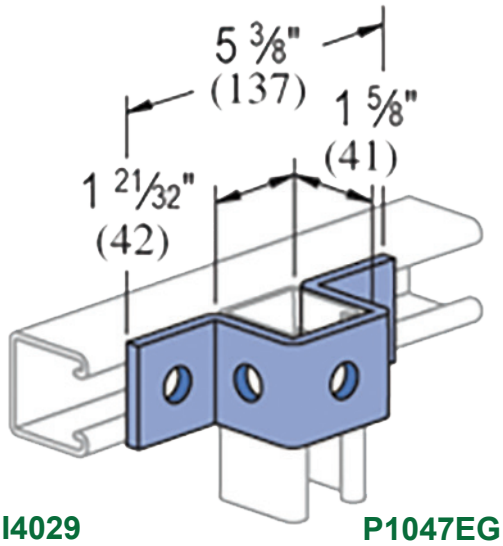


I4010

P1377EG

*Other configurations available
Please contact us!*

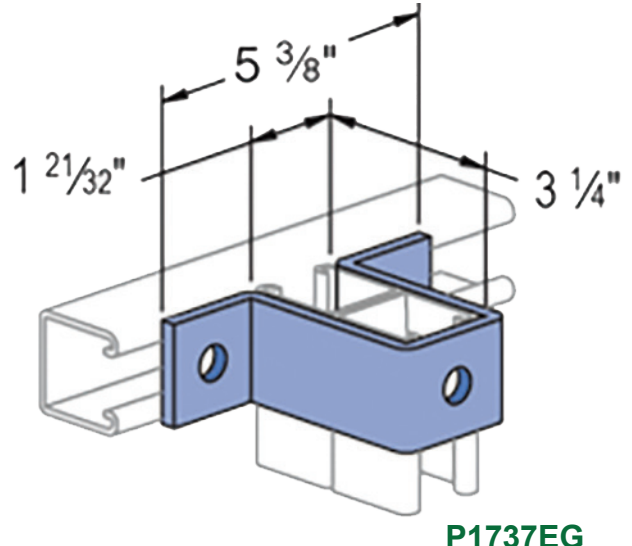
'U' Shape Saddle



I4029

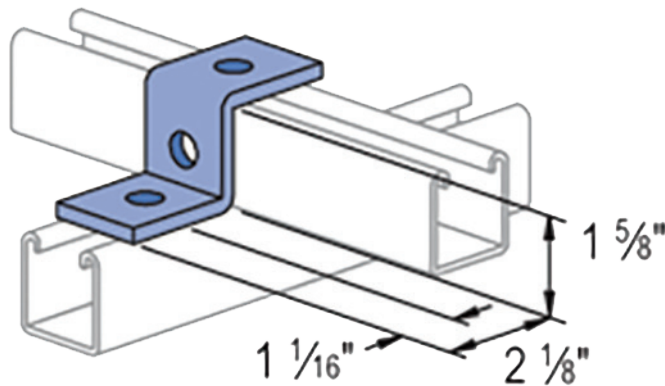
P1047EG

'U' Shape Saddle



P1737EG

2/3 Hole 'Z'

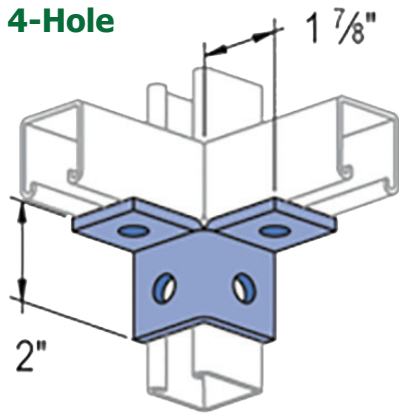


I4044

P1045EG

Wing Fittings

4-Hole

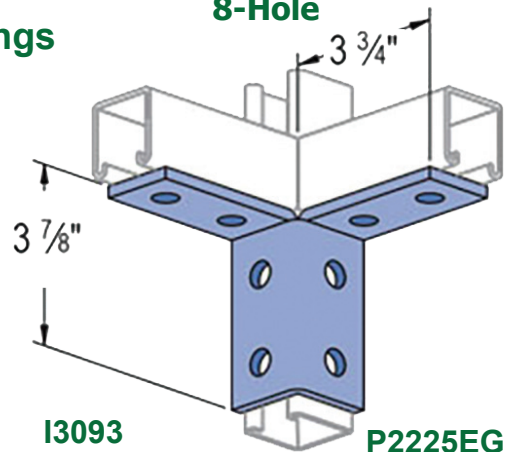


I3087

P2223EG

Corner Wing Fittings

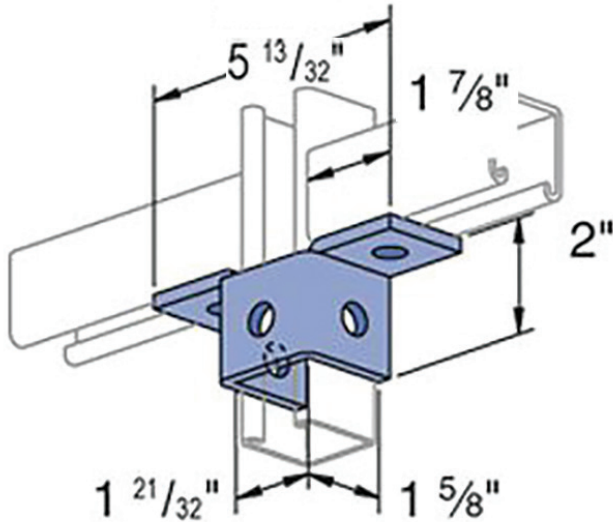
8-Hole



I3093

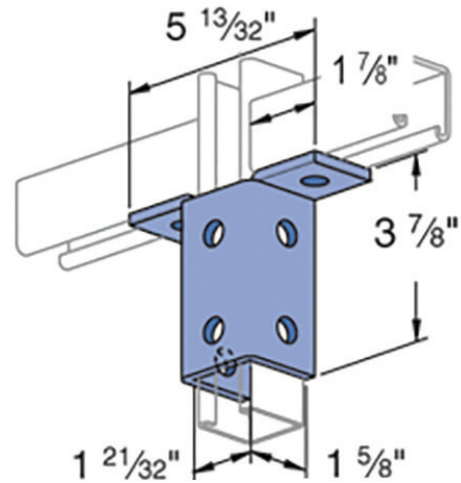
P2225EG

2-Way Continuous Wing Fittings



I3081

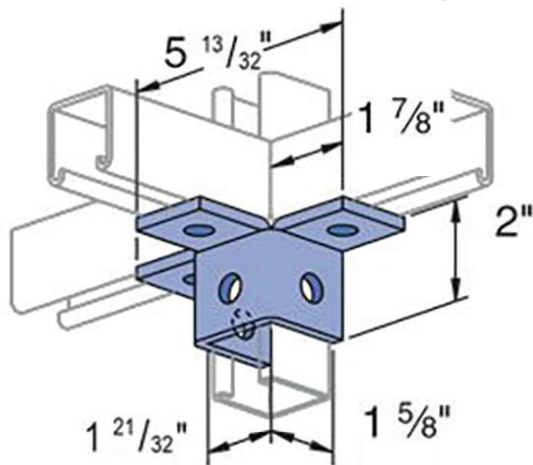
P2345EG



I3084

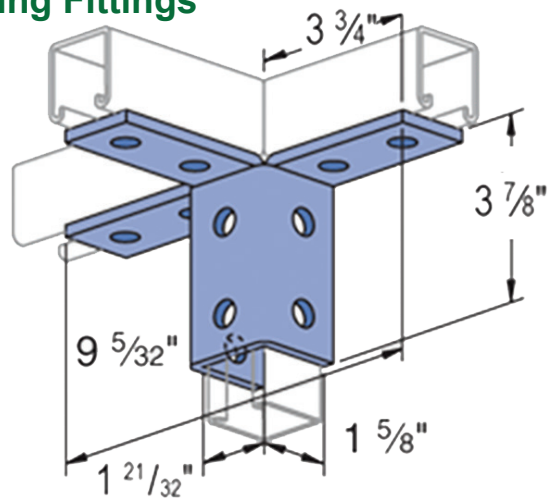
P2346EG

3-Way Continuous Wing Fittings



I3096

P2227EG

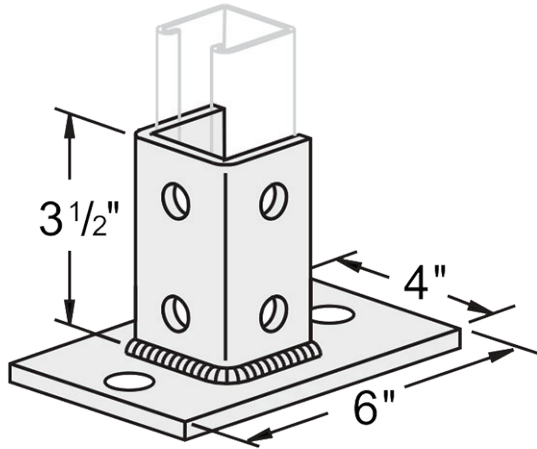


I3099

P2229EG

Post Bases

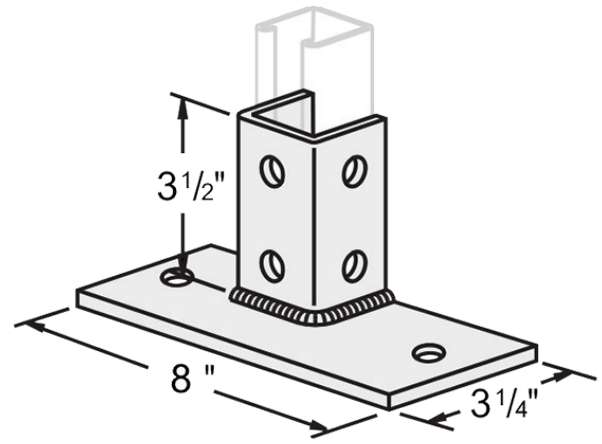
Single Column Post Base
(2-hole base)



I2942

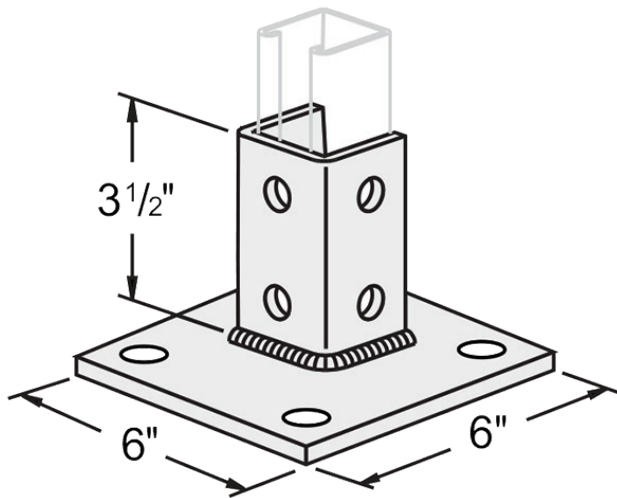
P2942EG

Flush Mount Post Base
(2-hole base)



I5305

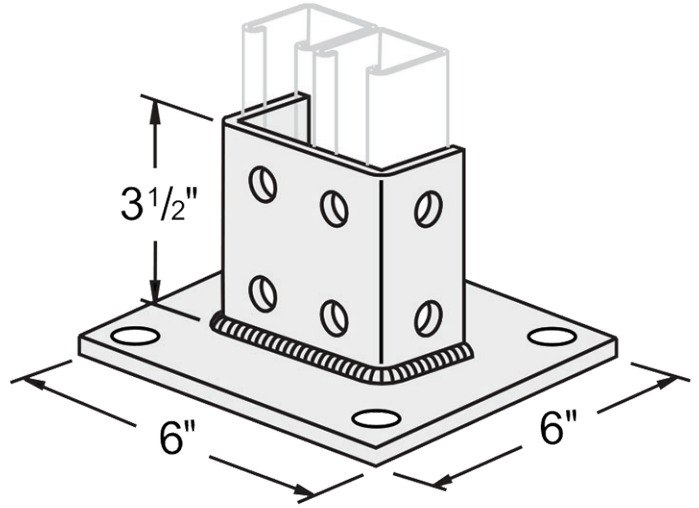
Single Column Post Base
(4-hole base)



I5205

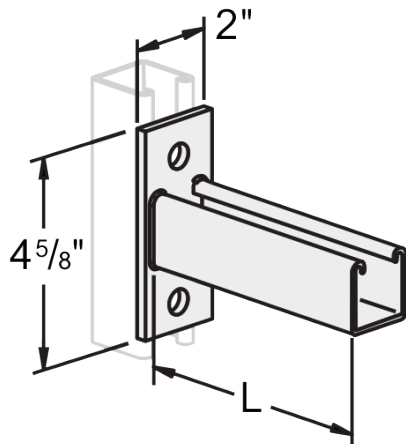
P2072ASQEG

Double Column Post Base
(4-hole base)



I5213

Brackets & Braces



Single Channel Shelf Brackets

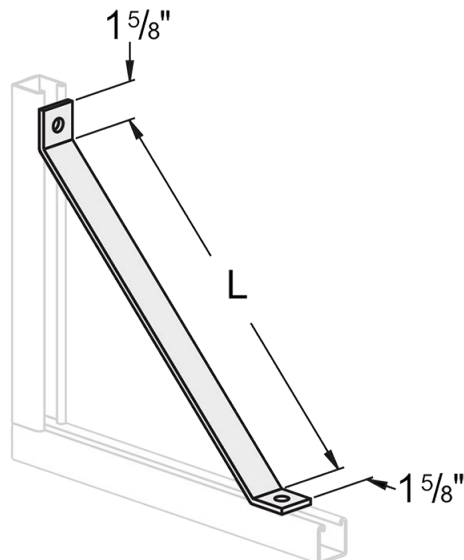
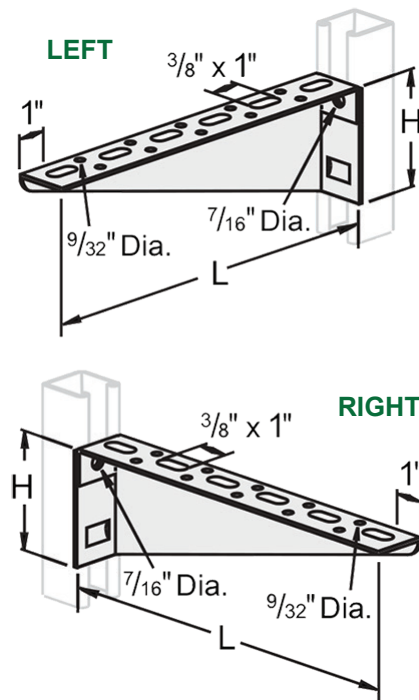
Length	Korefit	Load
12"	I5030	600 lbs
18"	I5031	400 lbs
24"	I5032	300 lbs

Slotted Shelf Brackets

Sizes 6" - 30" available
L or R Orientation

Typical P/N **I5065 (L / R)**

UNISTRUT Typically Special Order

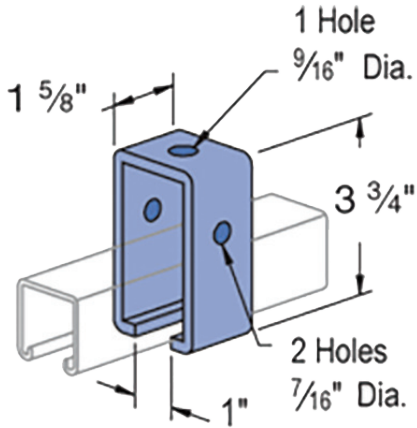


Knee Braces

Length	Item#
12"	I5099-12
16-5/8"	I5099-16
24"	I5099-24

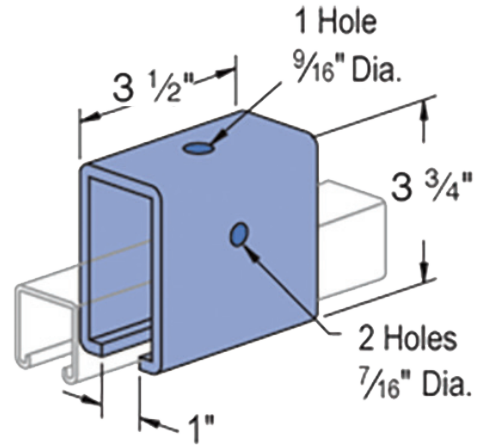
Trolleys

Trolley Channel Support



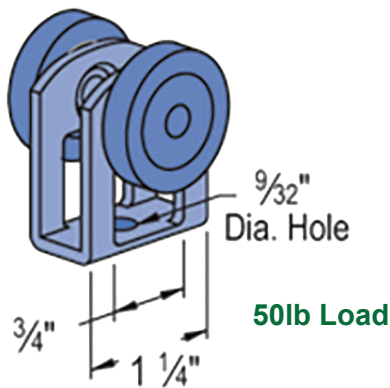
P1834EG

Trolley Channel Splice



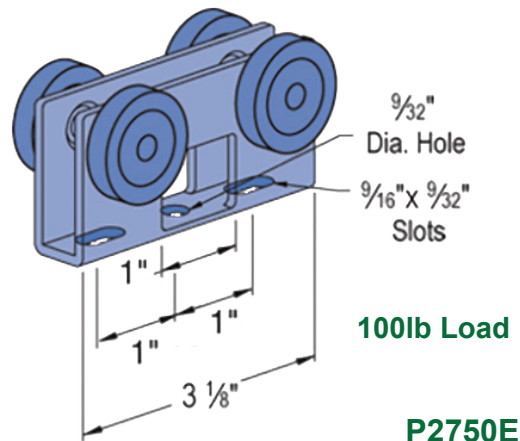
P1834AEG

Light Duty 2-Wheel



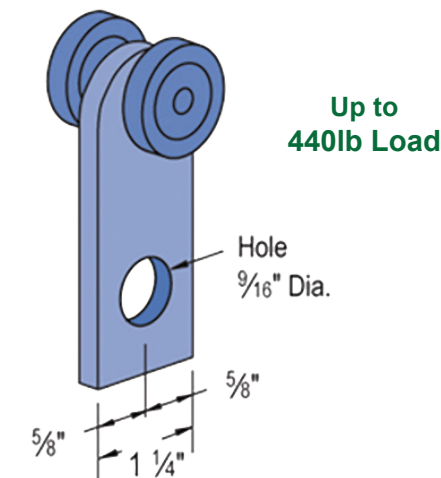
P2749EG

Light Duty 4-Wheel



P2750EG

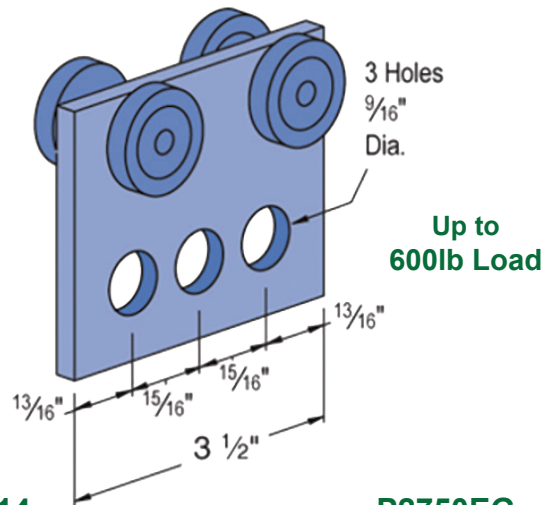
Heavy Duty 2-Wheel



I8213

P2949EG

Heavy Duty 4-Wheel

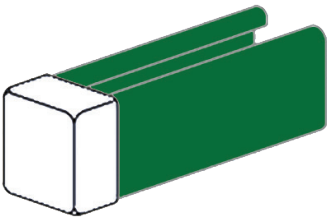


I8214

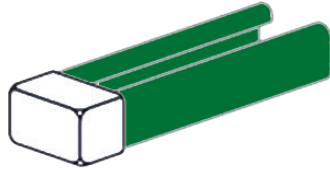
P2750EG

End Caps & Closures

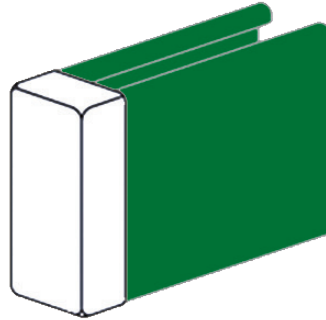
White Vinyl End Caps



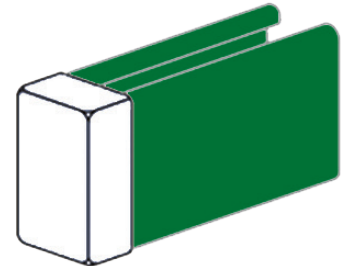
P2860-10



P2860-33

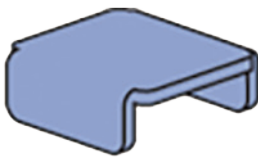


P2860-50



P2860-55

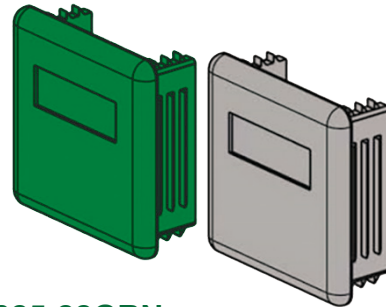
Steel End Caps



P2407EG or I9023
for P1000 Series Channel

P3280
for P3000 Series Channel

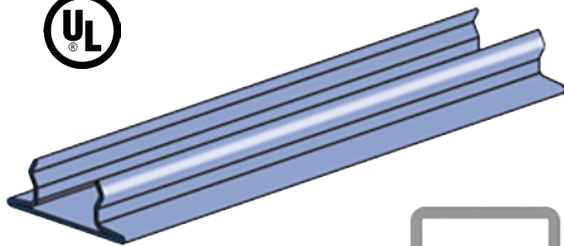
Polyurethane End Caps



B825-22GRN
(Green)

B825-22GRY
(Gray)

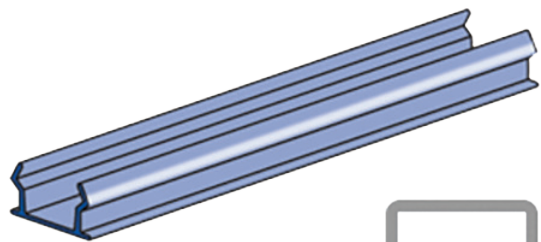
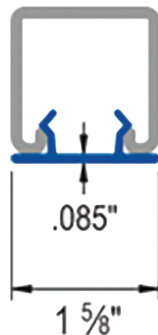
Closures



P3184P

G.E. Noryl® Plastic
Available Colors
White (WH)
Gray (GY)
Green (GR)

Standard Length is 10 ft

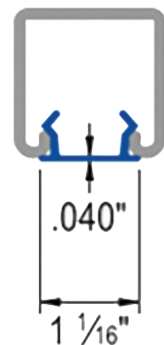


P3712P

Plastic
Black Color Only

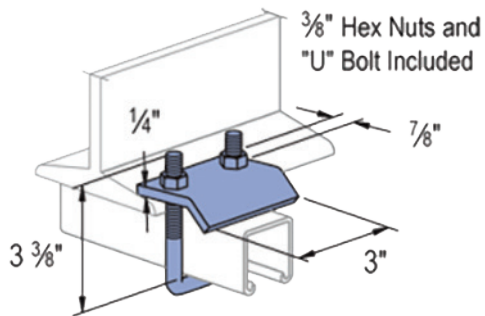
Standard Length is 10 ft

(Use with P3170, P3270 and
P3370 Series Concrete Insert)



Beam Clamps

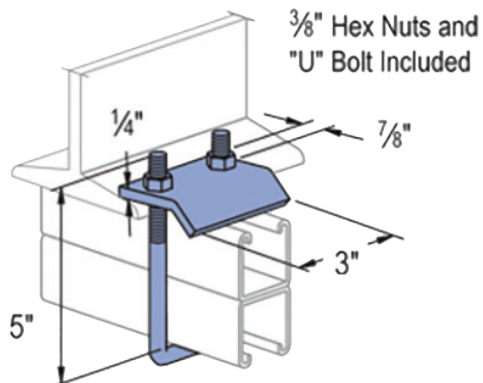
U-Bolt 1-5/8" Channel



I6030

P2785EG

U-Bolt 3-1/4" Channel

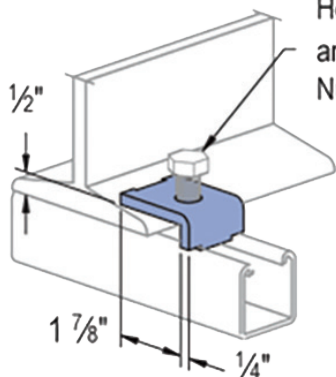


I6031

P2786EG

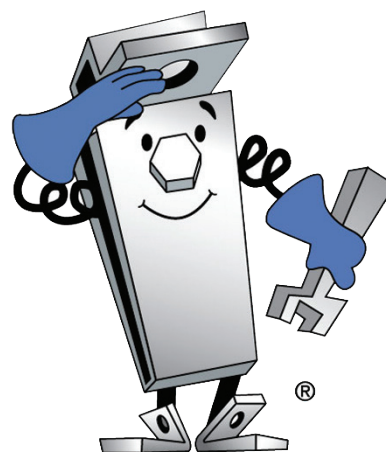
Tab Style

Clamp Requires
1/2" - 13 X 1 1/2"
Hex Head Cap Screw
and 1/2" Channel
Nut Not Included.

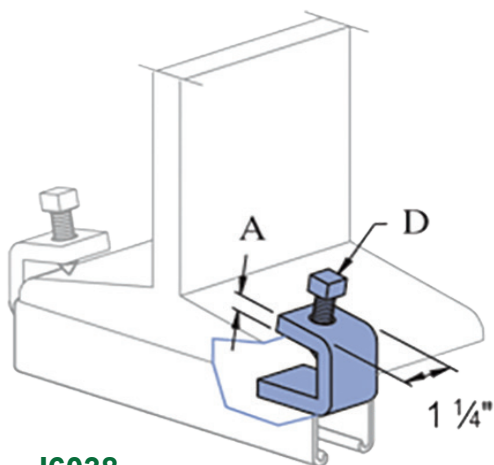


I6001

P1386EG

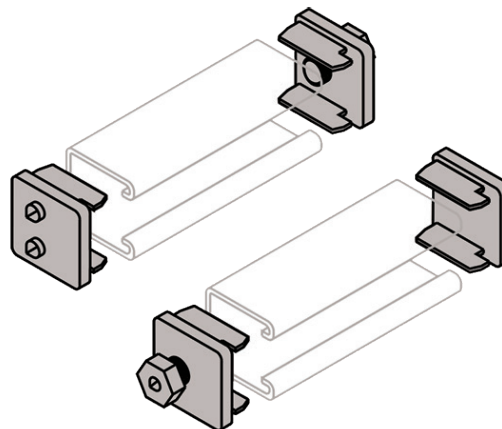


C-Clamp



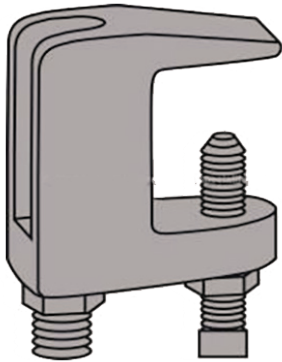
I6038

Beam Spreader



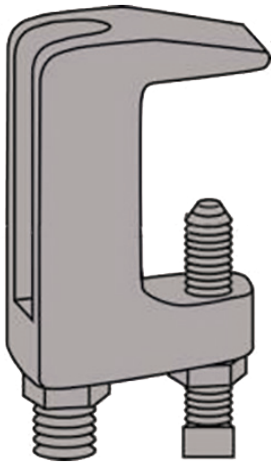
I6046

Universal Beam Clamps



Rod Size	Plain	EG (Zinc)	Load
1/4	BCR01025PL	BCR01025EG	250 Lbs
3/8	BCR01038PL	BCR01038EG	350 Lbs
1/2	BCR01050PL	BCR01050EG	470 Lbs
5/8	BCR01062PL	BCR01062EG	550 Lbs
3/4	BCR01075PL	BCR01075EG	700 Lbs
For use w/Flange up to 3/4" thickness			

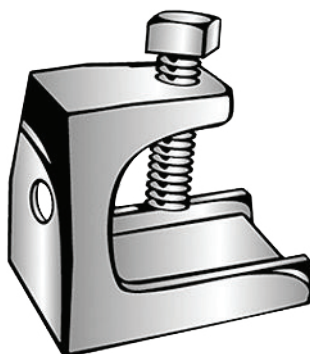
Universal Wide Mouth Beam Clamps



Rod Size	Plain	EG (Zinc)	Load
3/8	BCR02038PL	BCR02038EG	500 Lbs
1/2	BCR02050PL	BCR02050EG	950 Lbs
For use w/Flange up to 1-1/4" thickness			

Other Beam Clamps

(1/4" and heavier duty)

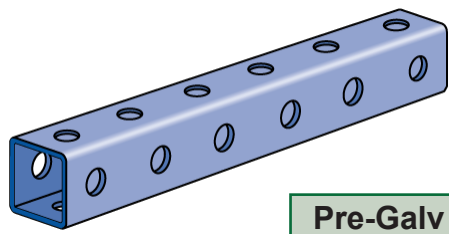


Rod Size	P / N	Load
1/4	MIN600	75 Lbs
1/4	MIN700	275 Lbs
3/8	MIN702	750 Lbs

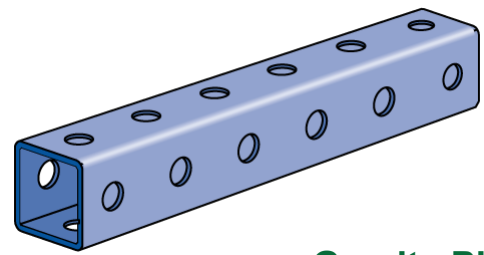


TeleStrut

P9000
1-5/8 OD Square Tube

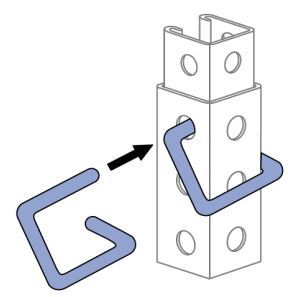


P9200
1-7/8 OD Square Tube

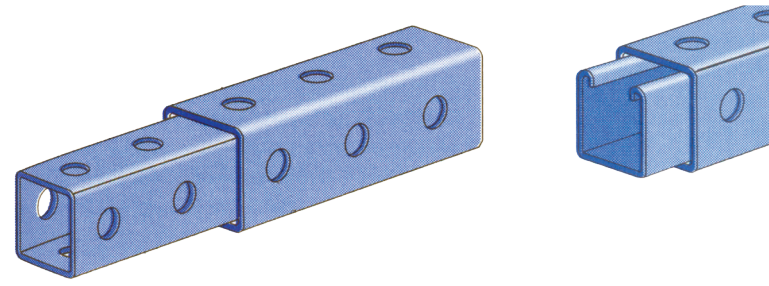


Pre-Galv (PG)	Length
P9000PG10	10 FT
P9000PG20	20 FT
P9200PG10	10 FT
P9200PG20	20 FT

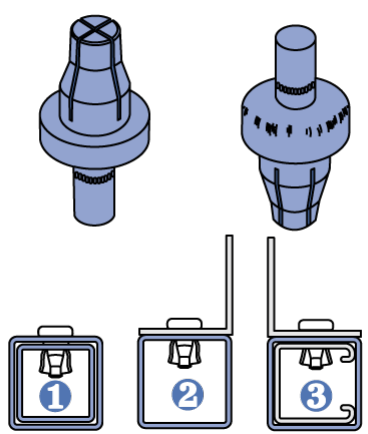
Gravity Pin



P9209EG

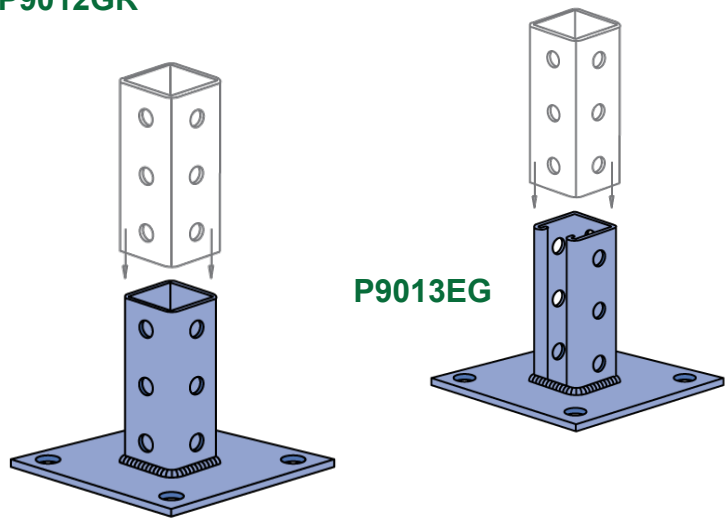


Multi-Grip Rivet
P9010EG



4-Hole Post Base

P9011GR
P9012GR



P9013EG

TeleSpar

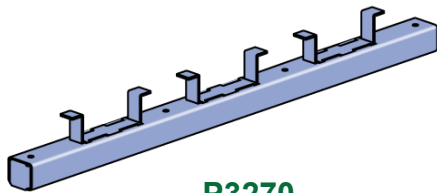


*24 Ft Stock Lengths
 *Perforated (with Holes) in Stock
 *Solid (no holes) Special Order Only

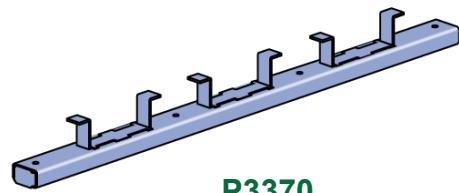
Solid (no holes)	Size	Finish
TL14F1024PG	1½" x 1½"	Pre-Galv
TL14F1024PL	1½" x 1½"	Plain
TL16F1024PG	1¾" x 1¾"	Pre-Galv
TL16F1024PL	1¾" x 1¾"	Plain
TL20F1024PL	2" x 2"	Plain
TL20F1024PG	2" x 2"	Pre-Galv
TL22F1024PL	2¼" x 2¼"	Plain
TL24F1024PG	2½" x 2½"	Pre-Galv
TL24F1024PL	2½" x 2½"	Plain

Perforated (w/holes)	Size	Finish
TL14F1224PG	1½" x 1½"	Pre-Galv
TL14F1224PL	1½" x 1½"	Plain
TL16F1224PG	1¾" x 1¾"	Pre-Galv
TL16F1224PL	1¾" x 1¾"	Plain
TL20F1224PL	2" x 2"	Plain
TL20F1224PG	2" x 2"	Pre-Galv
TL21H1224PG	23/16" x 23/16"	Pre-Galv
TL22F1224PL	2¼" x 2¼"	Plain
TL24F1224PG	2½" x 2½"	Pre-Galv
TL24F1224PL	2½" x 2½"	Plain

Concrete Inserts

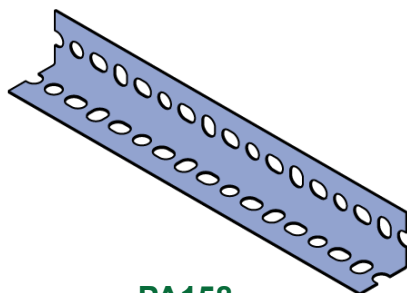


P3270

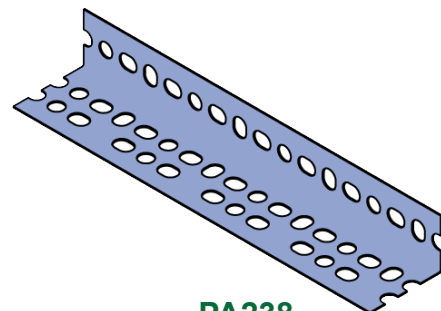


P3370

Prime Angle



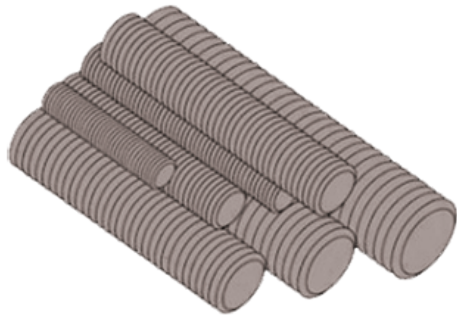
PA158



PA238

Threaded Rod & Accessories

Threaded Rod



A307 GrA Zinc (TRZ)

Rod Size	P / N	Load
1/4-20	TRZ2520-06	—
5/16-18	TRZ3118-06	—
3/8-16	TRZ3816-06	730 Lbs
1/2-13	TRZ5013-06	1350 Lbs
5/8-11	TRZ6211-06	2160 Lbs
3/4-10	TRZ7510-06	3230 Lbs
7/8-09	TRZ8709-06	4480 Lbs
1-08	TRZ9100-06	5900 Lbs

Most sizes available in 6ft, 10ft & 12ft stock lengths.

Other sizes greater than 1 inch are available and can be special ordered.

Hot-Dip Galvanized (TR•G), 304SS (TR•SS), High Tensile Gr B7 (TR•B7), F1554 Grade 55 (TR•55) also available.

Coupling Nuts

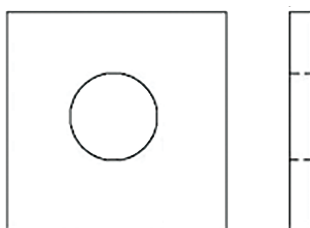


Standard Zinc

Thread	Size	P / N
1/4-20	7/16" x 1 3/4"	CNZ2520175
5/16-18	1/2" x 1 3/4"	CNZ3118175
3/8-16	9/16" x 1 3/4"	CNZ3816175
1/2-13	11/16 x 1 3/4"	CNZ5013175
5/8-11	3/16" x 2 1/8"	CNZ6211213
3/4-10	1" x 2 1/4"	CNZ7210225
7/8-09	1 1/4" X 2 1/2"	CNZ8709250

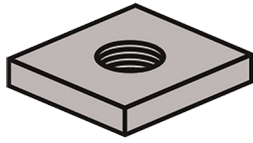
**HDG & SS available
Reducers and short lengths by special order**

Washer Plates



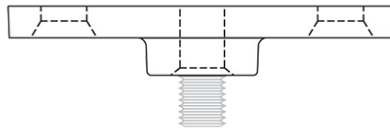
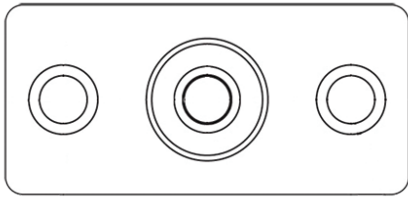
Size	Plain	HDG
1/2 2"x2"x 0.195"	WP50P	WP50G
5/8 2"x2"x0.25"	WP62P	WP62G
3/4 2"x2"x0.25"	WP75P	WP75G

Square Nuts



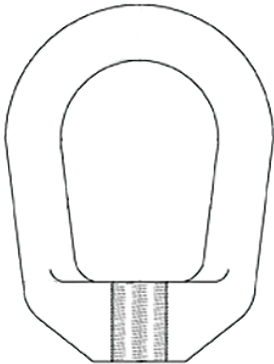
Size	EG
1/4 - 20	G9240
3/8 - 16	G9241
1/2 - 13	G9242

Malleable Wall Plates



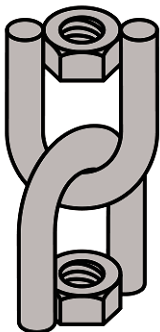
3 / 8 Rod	
CFL038EG	Zinc
CFL038CP	Copper
1 / 2 Rod	
CFL050EG	Zinc

Forged Eye Nuts (Plain Finish)



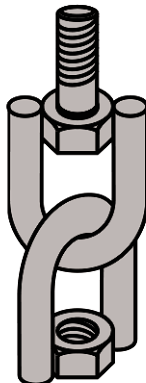
Size	P / N	Load
3/8-16	ENF038PL	730 Lbs
1/2-13	ENF050PL	1350 Lbs
5/8-11	ENF062PL	2160 Lbs
3/4-10	ENF075PL	3230 Lbs

Swivel Rod Fittings



F / F

600 Lbs

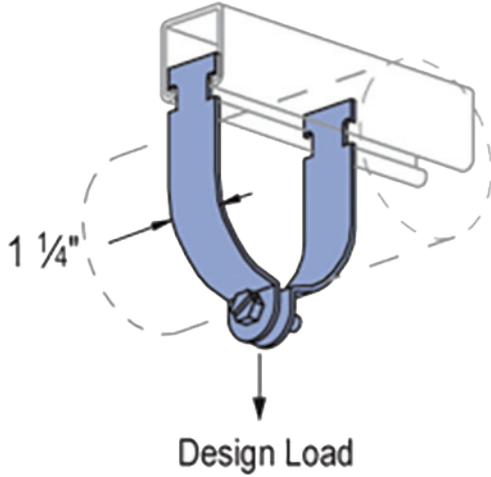


M / F

Size	P / N
3/8-16 M/F	I6019
3/8-16 F/F	I6021
1/2-13 M/F	I6020
1/2-13 F/F	I6022

Pipe Supports

Strut Pipe Clamps

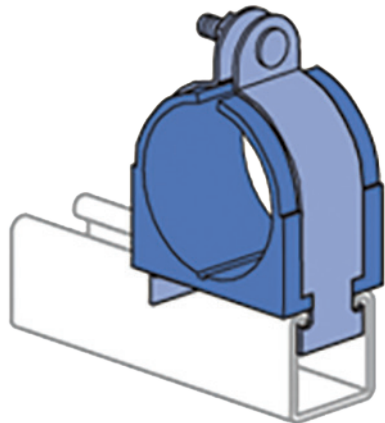


Clamps for Rigid Pipe/Conduit, PVC			
NPS(in.)	O.D.(in.)	Unistrut	Korefit
1/2	.840	P1111	I7002
3/4	1.050	P1112	I7003
1	1.315	P1113	I7004
1-1/4	1.660	P1114	I7005
1-1/2	1.900	P1115	I7006
2	2.375	P1117	I7007
2-1/2	2.875	P1118	I7008
3	3.500	P119	I7009
3-1/2	4.000	P1120	I7010
4	4.500	P1121	I7111

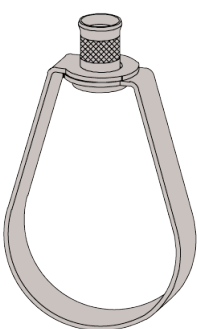
Typical finish Electro-galvanized (EG).

Please make inquiries regarding the availability of:

- Sizes for larger pipe
- Thin wall EMT clamps
- O.D. Tubing Size clamps
- Copper Tubing clamps
- Cushion clamps

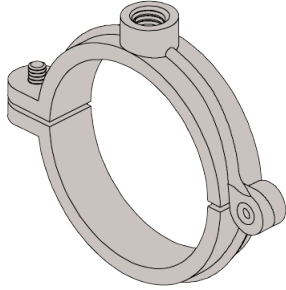


Swivel Ring Band Hangers



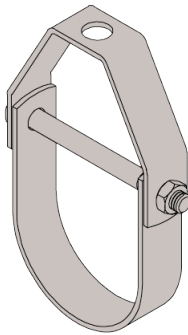
NPS(in.)	Zinc	Load	CT Size	Copper
1/2	BH0050EG	300 Lbs	1/2	BH0050CP
3/4	BH0075EG	300 Lbs	3/4	BH0075CP
1	BH0100EG	300 Lbs	1	BH0100CP
1-1/4	BH0125EG	300 Lbs	1-1/4	BH0125CP
1-1/2	BH0150EG	300 Lbs	1-1/2	BH0150CP
2	BH0200EG	300 Lbs	2	BH0200CP
2-1/2	BH0250EG	525 Lbs	2-1/2	BH0250CP
3	BH0300EG	525 Lbs	3	BH0300CP
3-1/2	BH0350EG	525 Lbs	—	—
4	BH0400EG	650 Lbs	—	—
5	BH0500EG	1000 Lbs	—	—

Hinged Split Ring Hangers



NPS(in.)	P / N	Load	CT Size	P / N
1/2	SRH0050EG	180 Lbs	1/2	SRH0050CP
3/4	SRH0075EG	180 Lbs	3/4	SRH0075CP
1	SRH0100EG	180 Lbs	1	SRH0100CP
1-1/4	SRH0125EG	180 Lbs	1-1/4	SRH0125CP
1-1/2	SRH0150EG	180 Lbs	1-1/2	SRH0150CP
2	SRH0200EG	180 Lbs	2	SRH0200CP

Clevis Hangers



Generally ordered specific to the job.

Finishes available in

- Plain (PL)
- Electro-Galv (EG)
- Hot-Dip Galv (HG)

Please contact us on availability of stock.

Conduit Hangers

Single Hanger



1-Hole Jiffy Clip

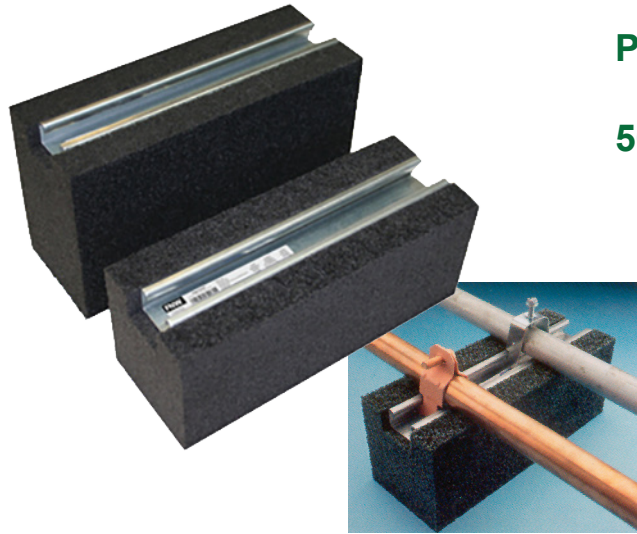


2-Hole Strap



NPS(in.)	Single Hanger	1-Hole Jiffy Clip	2-Hole Strap
1/2	MIN0	MINMED40	MIN240
3/4	MIN1	MINMED50	MIN250
1	MIN2	MINMED60	MIN260
1-1/4	MIN3	MINMED70	MIN270
1-1/2	MIN4	MINMED80	MIN280
2	MIN5	MINMED90	MIN290
2-1/2	MIN6	—	MIN292
3	MIN7	—	MIN294
3-1/2	MIN8	—	—
4	MIN9	—	—

Rooftop Supports



Pipe Pier Foam Blocks

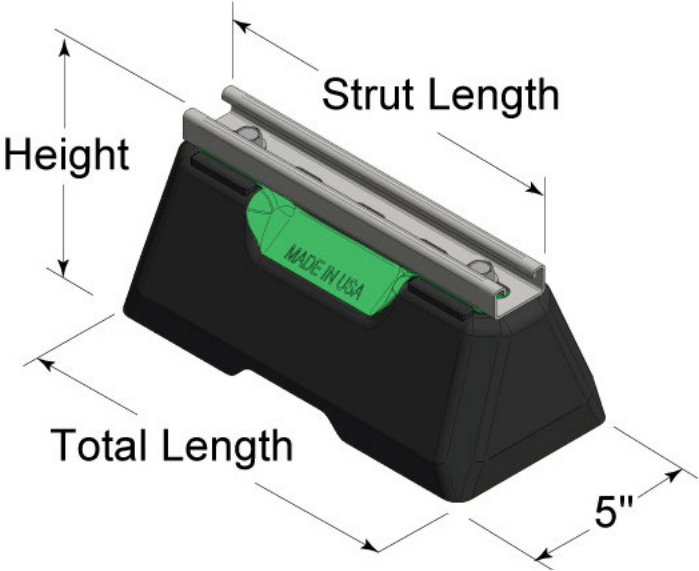
50 Lb Load Capacity

PP410

**RSB - Support With
3/16" Pre-Galv.
14 Gauge Steel Channel**

1000 Lb Load Capacity

RSB1081PG



ORIGINATOR

[Empty box for originator name]



Office (651) 646-6141
Toll Free (800) 328-6505

9205 Lake Drive NE, Columbus MN 55025

Email: info@vikingindustrialcenter.com

APPLICATION FOR CREDIT

Date: _____

COMPANY: _____

Application Requested by: _____

INVOICE TO:

SHIP TO:

(Address/P.O.Box) _____

(Street Address) _____

(City, State & Zip) _____

(City, State & Zip) _____

Phone: _____ Fax: _____

Email: _____

Invoice Preference: Fax _____ Email _____

If your company is Tax Exempt, a copy of the certificate is required.

Years in business: _____

Accounts Payble Contact: _____

Trade References:

Name of Supplier

Phone Number

Fax Number *(required)*

1. _____

2. _____

3. _____

Bank Reference:

Name of Bank _____

Phone Number _____

Contact at Bank _____

Account Number _____

If application is not complete it will not be processed.

The above information is given for the purpose of establishing a line of credit an is a true and correct statement.

Signature

Title

Date

This application must be signed by a corporate officer or authorized representative who thereby grants permission to suppliers to release confidential credit information to Viking Industrial Center.

**Please email completed credit application to:
info@vikingindustrialcenter.com**



ST. PAUL
2550 Kasota Ave
(800) 328-6505

DULUTH
4730 Grand Ave
(800) 232-1367

FOREST LAKE
9205 Lake Drive NE
(651) 756-8758

Safety, Fastener & Strut Specialists

www.vikingindustrialcenter.com

info@vikingindustrialcenter.com

FIRST AID

EYE & FACE PROTECTION

HEAD PROTECTION

HAND PROTECTION

HI VISIBILITY GARMENTS

CONFINED SPACE ENTRY

LOCKOUT/TAGOUT

SURFACE PROTECTION PRODUCTS

REBAR CAPS

HEARING PROTECTION

RESPIRATORY PROTECTION

RAINWEAR & RUBBER BOOTS

FALL PROTECTION

GAS DETECTION

SIGNS

RENTAL EQUIPMENT
GAS MONITORS, TRIPODS, BLOWERS

UNISTRUT & FITTINGS

CONSTRUCTION FASTENERS

THREADED ROD

DUCT, MASKING & PAINTERS TAPE

ROOFING SCREWS

HIGH SPEED & CARBIDE BITS

ADHESIVES & CAULKS

**AUTO FEED SCREW DRIVING
SYSTEMS**

**FOAM SEALANTS & FIRE
STOPPING PRODUCTS**

MARKING PAINT, CHALK

RIVET TOOLS & RIVETS

SECURITY FASTENERS

SAW BLADES

**POWDER ACTUATED TOOLS,
PINS AND LOADS**

ELECTRICAL CORDS & GFCI

POLY SHEETING

**Convenient
Service Center Locations**

ST PAUL

651-646-6374

2550 Kasofa AVE.

DULUTH

218-624-4851

4730 GRAND AVE.

FOREST LAKE

651-756-8758

9205 Lake Drive NE



Twin Cities Metro Area - 800-328-6505

Duluth/Superior Area - 800-232-1367

www.vikingindustrialcenter.com